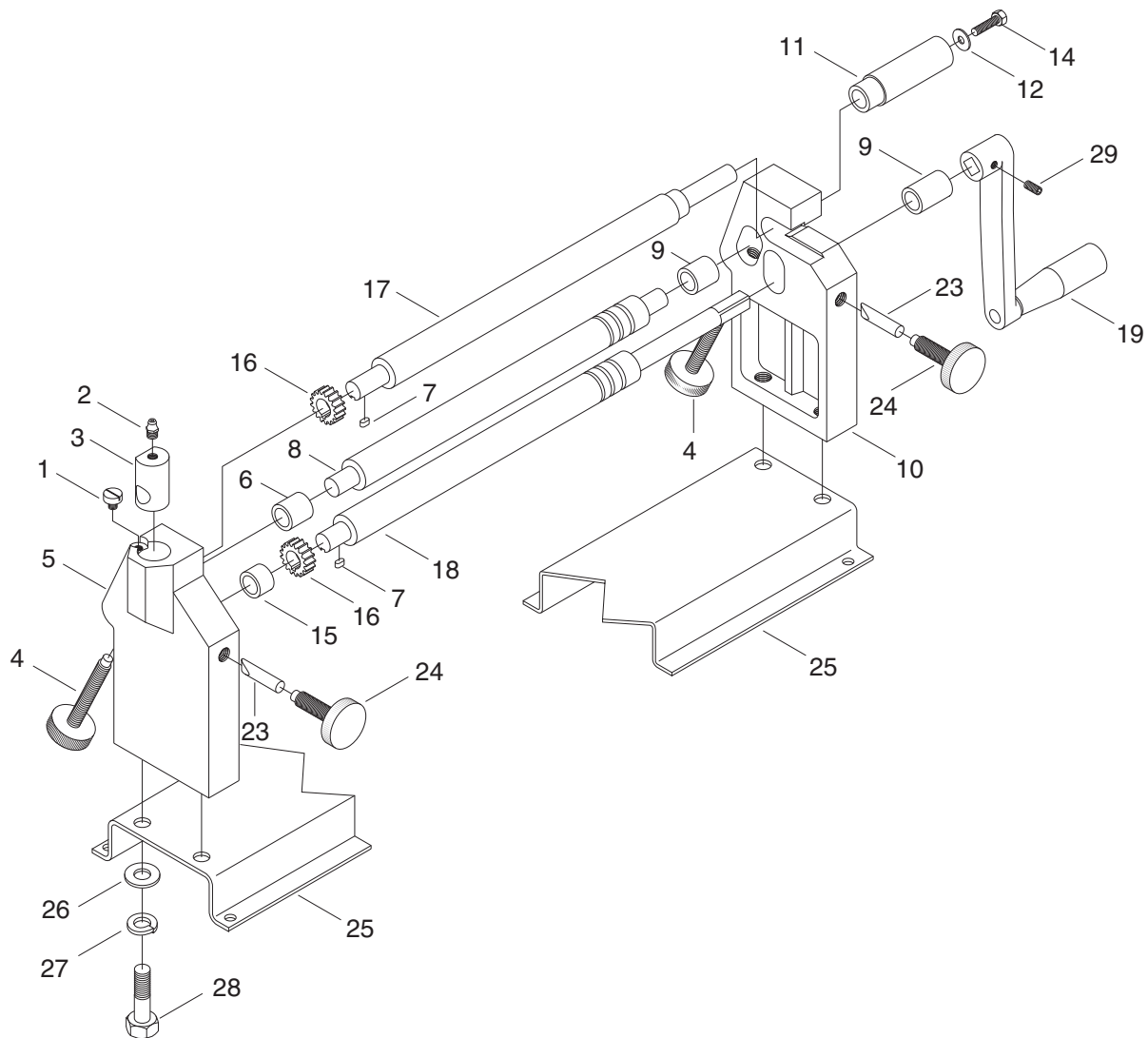


T21323 Parts Breakdown and List

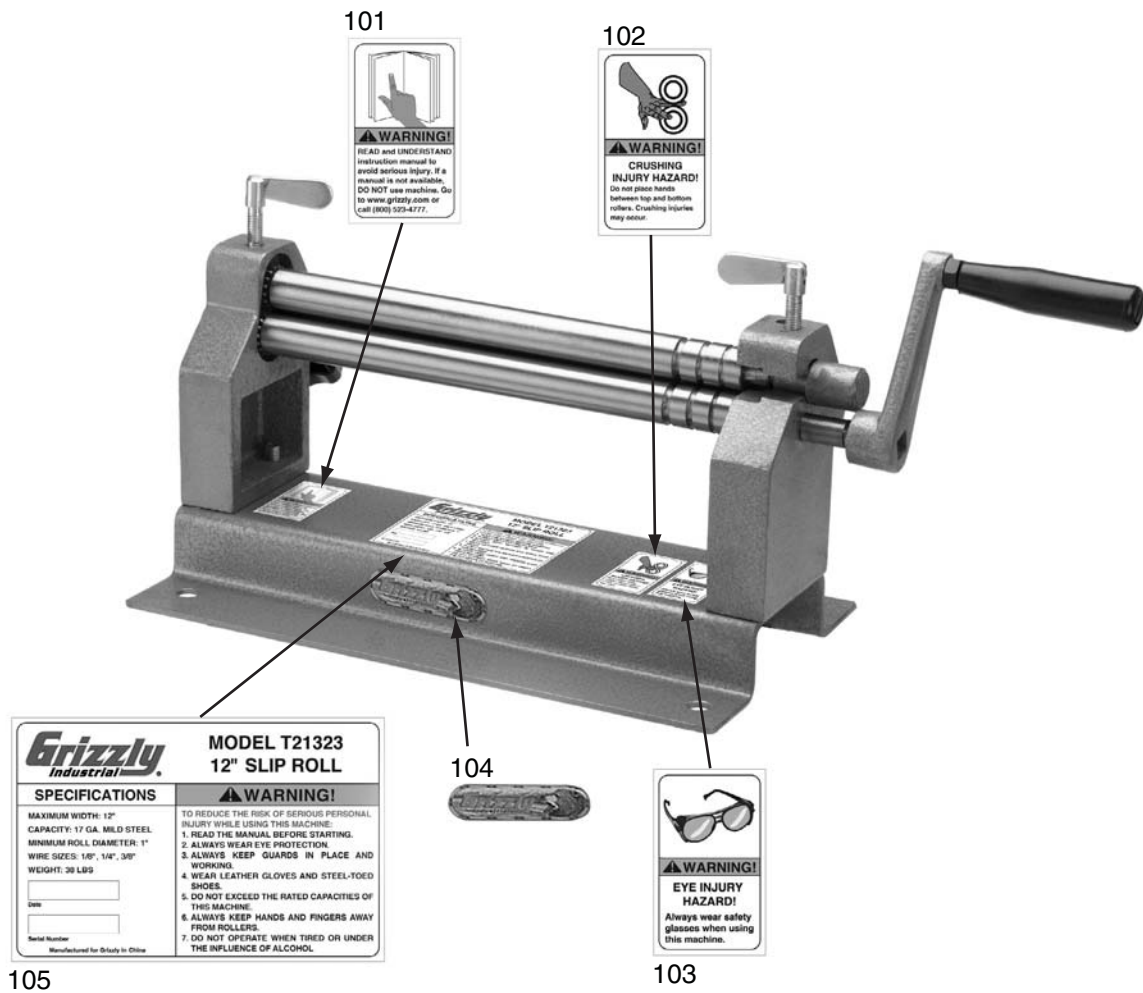


REF	PART #	DESCRIPTION
1	PT21323001	ADJUSTMENT SCREW
2	PT21323002	GREASE CUP
3	PT21323003	ROTATING SUPPORT
4	PT21323004	ADJUSTMENT KNOB
5	PT21323005	LEFT STAND
6	PT21323006	BUSHING
7	PK29M	KEY 4 X 4 X 8
8	PT21323008	REAR MOVABLE SHAFT
9	PT21323009	HANDLE SHAFT
10	PT21323010	RIGHT STAND
11	PT21323011	RELEASE ROD
12	PW03M	FLAT WASHER 6MM
14	PSB01M	CAP SCREW M6-1 X 16

REF	PART #	DESCRIPTION
15	PT21323015	BUSHING
16	PT21323016	GEAR
17	PT21323017	FIXED SHAFT
18	PT21323018	FRONT MOVABLE SHAFT
19	PT21323019	HANDLE ASSEMBLY
23	PT21323023	PIN
24	PT21323024	ADJUSTMENT KNOB
25	PT21323025	BASE
26	PW04M	FLAT WASHER 10MM
27	PLW06M	LOCK WASHER 10MM
28	PB48M	HEX BOLT M10-1.25 X 20
29	PSS02M	SET SCREW M6-1 X 6



T21323 Labels



Grizzly Industrial MODEL T21323
12" SLIP ROLL

SPECIFICATIONS	WARNING!
MAXIMUM WIDTH: 12" CAPACITY: 17 GA. MILD STEEL MINIMUM ROLL DIAMETER: 1" WIRE SIZES: 1/8", 1/4", 3/8" WEIGHT: 20 LBS Date: _____ Serial Number: _____ <small>Manufactured for Safety in Ohio</small>	TO REDUCE THE RISK OF SERIOUS PERSONAL INJURY WHILE USING THIS MACHINE: 1. READ THE MANUAL BEFORE STARTING. 2. ALWAYS WEAR EYE PROTECTION. 3. ALWAYS KEEP GUARDS IN PLACE AND WORKING. 4. WEAR LEATHER GLOVES AND STEEL-TOED SHOES. 5. DO NOT EXCEED THE RATED CAPACITIES OF THIS MACHINE. 6. ALWAYS KEEP HANDS AND FINGERS AWAY FROM ROLLERS. 7. DO NOT OPERATE WHEN TIRED OR UNDER THE INFLUENCE OF ALCOHOL.

REF	PART #	DESCRIPTION
101	PLABEL-12C	READ MANUAL LABEL
102	PT21323102	CRUSHING INJURY LABEL
103	PLABEL-11B	SAFETY GLASSES LABEL

REF	PART #	DESCRIPTION
104	PT21323104	GRIZZLY DOMED LABEL
105	PT21323105	MACHINE ID LABEL

! WARNING

Safety labels warn about machine hazards and ways to prevent injury. The owner of this machine **MUST** maintain the original location and readability of the labels on the machine. If any label is removed or becomes unreadable, **REPLACE** that label before using the machine again. Contact Grizzly at (800) 523-4777 or www.grizzly.com to order new labels.

